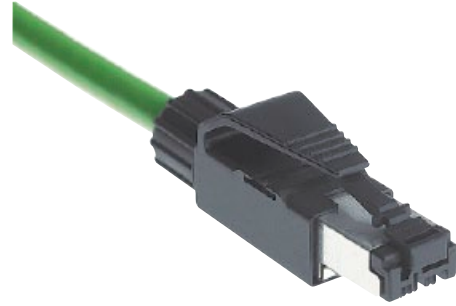


Connector sets



HARTING RJ Industrial®
Connector set, 4-pole
to make up RJ45 system cables

IP 20	<input checked="" type="checkbox"/>	IP 65 / IP 67	<input type="checkbox"/>	IP 65 / IP 67 to IP 20	<input type="checkbox"/>	Cat. 5	<input checked="" type="checkbox"/>	Cat. 6	<input type="checkbox"/>
-------	-------------------------------------	---------------	--------------------------	---------------------------	--------------------------	--------	-------------------------------------	--------	--------------------------

Connector type	RJ45 connector acc. to IEC 60 603-7
Number of contacts	4
Transmission performance	Category 5 / Class D up to 100 MHz according to ISO/IEC 11 801:2002, EN 50 173-1
Transmission rate	10/100 Mbit/s
Shielding	Fully shielded, 360° shielding contact
Mounting	Field-assembly
Wire termination	Via IDC contacts, tool-less
Cable options	Suitable for solid and stranded cores
– Strand gauge	AWG 24/7 ... AWG 22/7 (stranded) AWG 23/1 ... AWG 22/1 (solid)
– Strand diameter	AWG 26/7 (09 45 151 1109) max. 1.6 mm (09 45 151 1100 / 09 45 151 1108) max. 1.2 mm (09 45 151 1109)
– Cable sheath diameter	6.1 ... 6.9 mm
Degree of protection	IP 20
Operating temperature range	–40 °C ... +70 °C
Housing material	Polyamide, UL94 V-0
Colour	Black

Advantages	<p>RJ45 Ethernet-Data connector suitable for industry</p> <p>Tool-less field-assembly with <i>HARAX</i>® rapid termination in IDC technology</p> <p>Compact design</p> <p>Ergonomical unlocking clip</p> <p>Less weight assures shock- and vibration-resisting connection</p> <p>Category of transmission Cat. 5</p> <p>Suitable for termination of solid and stranded cables</p> <p>Up to 10x reconductable</p> <p>PROFINET compliant</p>
-------------------	--

Identification

Part number

Drawing

Dimensions in mm

HARTING RJ Industrial®
Connector set, 4-pole

for AWG 24 ... AWG 22
 great package with 100 pieces

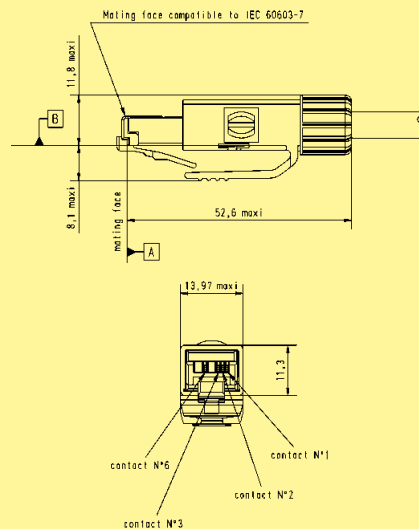
for AWG 26

Set consists of:
 Housing including shielding
 splice element
 Cable gland
 Assembly instructions

09 45 151 1100

09 45 151 1108

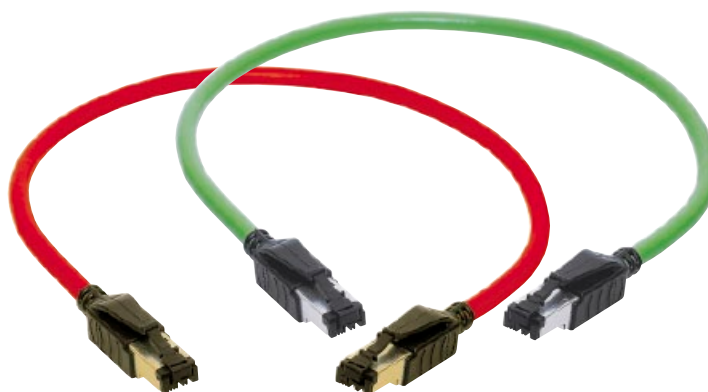
09 45 151 1109



RJ45

System cables

HARTING RJ Industrial®
System cable, 4-wire, straight
RJ45 connection cable for control or distributor cabinets or within controllers



RJ45

IP 20	<input checked="" type="checkbox"/>	IP 65 / IP 67	<input type="checkbox"/>	IP 65 / IP 67 to IP 20	<input type="checkbox"/>	Cat. 5	<input checked="" type="checkbox"/>	Cat. 6	<input type="checkbox"/>
-------	-------------------------------------	---------------	--------------------------	------------------------	--------------------------	--------	-------------------------------------	--------	--------------------------

Connector types RJ45, overmoulded

Cable types

Cable type	Type A	Type B	Type C
Cables	Copper, solid, shielded	Copper, stranded, shielded	Copper, stranded, shielded, useable as trailing cable
Wire gauge	4 x AWG 22/1	4 x AWG 22/7	4 x AWG 22/7
Sheath material	PVC	PVC	PUR
Operating temperature range	-40 °C ... +70 °C	-40 °C ... +70 °C	-40 °C ... +70 °C
Application PROFINET	Green	Green	Green
Application SERCOS III		Red	Red

Wiring	4-pole, 1:1 (RJ45 contacts 1/2 and 3/6)
Transmission performance	Category 5 / Class D up to 100 MHz according to ISO/IEC 11 801:2002, EN 50 173-1
Transmission rate	10/100 Mbit/s
Shielding	Fully shielded, 360° shielding contact
Standard lengths	1.5 m / 3 m / 5 m / 10 m / 20 m other lengths available on request
Advantages	<p>Robust industrial design</p> <p>Available also as Multiport version for especially space-critical port configurations on switches or devices</p> <p>PROFINET compliant</p> <p>SERCOS III compliant</p>

Identification	Part number			
	Standard	Multiport	SERCOS III	
HARTING RJ Industrial® System cable, 4-wire Type A	Length 1.5 m	09 45 771 0023	09 47 343 4006	
	Length 3.0 m	09 45 771 0025	09 47 343 4009	
	Length 5.0 m	09 45 771 0027	09 47 343 4012	
	Length 10.0 m	09 45 771 0051	09 47 343 4018	
	Length 20.0 m	09 45 771 0053	09 47 343 4020	
HARTING RJ Industrial® System cable, 4-wire Type B	Length 1.5 m	09 45 771 1123	09 47 343 4034	09 47 020 2003 018
	Length 3.0 m	09 45 771 1125	09 47 343 4037	09 47 020 2005 018
	Length 5.0 m	09 45 771 1127	09 47 343 4040	09 47 020 2007 018
	Length 10.0 m	09 45 771 1151	09 47 343 4046	09 47 020 2012 018
	Length 20.0 m	09 45 771 1153	09 47 343 4048	09 47 020 2014 018
HARTING RJ Industrial® System cable, 4-wire Type C	Length 1.5 m	09 45 771 1164	09 47 343 4090	09 47 020 2023 018
	Length 3.0 m	09 45 771 1166	09 47 343 4093	09 47 020 2025 018
	Length 5.0 m	09 45 771 1168	09 47 343 4096	09 47 020 2027 018
	Length 10.0 m	09 45 771 1173	09 47 343 4102	09 47 020 2032 018
	Length 20.0 m	09 45 771 1175	09 47 343 4104	09 47 020 2034 018

System cables



HARTING RJ Industrial®
System cable, 4-wire, angled

RJ45 connection cable, angled left to angled right,
for control or distributor cabinets or within controllers

IP 20	<input checked="" type="checkbox"/>	IP 65 / IP 67	<input type="checkbox"/>	IP 65 / IP 67 to IP 20	<input type="checkbox"/>	Cat. 5	<input checked="" type="checkbox"/>	Cat. 6	<input type="checkbox"/>
-------	-------------------------------------	---------------	--------------------------	------------------------	--------------------------	--------	-------------------------------------	--------	--------------------------

Connector types RJ45, overmoulded

Cable types

Cable type	Type A	Type B	Type C	Outdoor
Cables	Copper, solid, shielded	Copper, stranded, shielded	Copper, stranded, shielded, useable as trailing cable	Copper, stranded, shielded
Wire gauge	4 x AWG 22/1	4 x AWG 22/7	4 x AWG 22/7	4 x AWG 22/7
Sheath material	PVC	PVC	PUR	PVC
Operating temperature range	-40 °C ... +70 °C	-40 °C ... +70 °C	-40 °C ... +70 °C	-45 °C ... +60 °C
Application PROFINET	Green	Green	Green	Black

Wiring	4-pole, 1:1 (RJ45 contacts 1/2 and 3/6)
Transmission performance	Category 5 / Class D up to 100 MHz according to ISO/IEC 11 801:2002, EN 50 173-1
Transmission rate	10/100 Mbit/s
Shielding	Fully shielded, 360° shielding contact
Standard lengths	0.5 m / 1 m / 1.5 m / 2 m / 3 m / 5 m other lengths available on request
Advantages	Robust industrial design For especially space-saving cabling PROFINET compliant

Identification

Part number

HARTING RJ Industrial®
System cable, angled,
4-wire

Type A,
angled left to angled right

Length 0.5 m	09 47 050 6001
Length 1.0 m	09 47 050 6002
Length 1.5 m	09 47 050 6003
Length 2.0 m	09 47 050 6004
Length 3.0 m	09 47 050 6005
Length 5.0 m	09 47 050 6007

HARTING RJ Industrial®
System cable, angled,
4-wire

Type B,
angled left to angled right

Length 0.5 m	09 47 050 6023
Length 1.0 m	09 47 050 6024
Length 1.5 m	09 47 050 6025
Length 2.0 m	09 47 050 6026
Length 3.0 m	09 47 050 6027
Length 5.0 m	09 47 050 6029

HARTING RJ Industrial®
System cable, angled,
4-wire

Type C,
angled left to angled right

Length 0.5 m	09 47 050 6045
Length 1.0 m	09 47 050 6046
Length 1.5 m	09 47 050 6047
Length 2.0 m	09 47 050 6048
Length 3.0 m	09 47 050 6049
Length 5.0 m	09 47 050 6051

HARTING RJ Industrial®
System cable, angled,
4-wire

Outdoor,
angled left to angled right

Length 0.5 m	09 47 050 6067
Length 1.0 m	09 47 050 6068
Length 1.5 m	09 47 050 6069
Length 2.0 m	09 47 050 6070
Length 3.0 m	09 47 050 6071
Length 5.0 m	09 47 050 6073

System cables



HARTING PushPull RJ45
 System cable, 4-wire
 RJ45 connection cable, PushPull screwed, for IP 65 / IP 67 applications

HARTING PushPull

IP 20	<input type="checkbox"/>	IP 65 / IP 67	<input checked="" type="checkbox"/>	IP 65 / IP 67 to IP 20	<input type="checkbox"/>	Cat. 5	<input checked="" type="checkbox"/>	Cat. 6	<input type="checkbox"/>
-------	--------------------------	---------------	-------------------------------------	------------------------	--------------------------	--------	-------------------------------------	--------	--------------------------

Connector types HARTING PushPull RJ45

Cable types

Cable type	Type A	Type B	Type C	Outdoor
Cables	Copper, solid, shielded	Copper, stranded, shielded	Copper, stranded, shielded, useable as trailing cable	Copper, stranded, shielded
Wire gauge	4 x AWG 22/1	4 x AWG 22/7	4 x AWG 22/7	4 x AWG 22/7
Sheath material	PVC	PVC	PUR	PVC
Operating temperature range	-40 °C ... +70 °C	-40 °C ... +70 °C	-40 °C ... +70 °C	-45 °C ... +60 °C
Application PROFINET	Green	Green	Green	Black

Wiring	4-poles (RJ45 contacts 1/2 and 3/6)
Transmission performance	Category 5 / Class D up to 100 MHz according to ISO/IEC 11 801:2002, EN 50 173-1
Transmission rate	10/100 Mbit/s
Shielding	Fully shielded, 360° shielding contact
Standard lengths	1.5 m / 3 m / 5 m / 10 m / 20 m other lengths available on request
Advantages	Space-saving IP 65 / IP 67 interface Easy handling IP 65 / IP 67 standard interface for structured cabling in buildings according to ISO/IEC 24 702 respectively EN 50 173-3

Identification

Part number

HARTING PushPull RJ45
System cable, 4-wire
Type A

Length 1.5 m	09 45 745 1123
Length 3.0 m	09 45 745 1125
Length 5.0 m	09 45 745 1127
Length 10.0 m	09 45 745 1151
Length 20.0 m	09 45 745 1153

HARTING PushPull RJ45
System cable, 4-wire
Type B

Length 1.5 m	09 45 745 1164
Length 3.0 m	09 45 745 1166
Length 5.0 m	09 45 745 1168
Length 10.0 m	09 45 745 1173
Length 20.0 m	09 45 745 1175

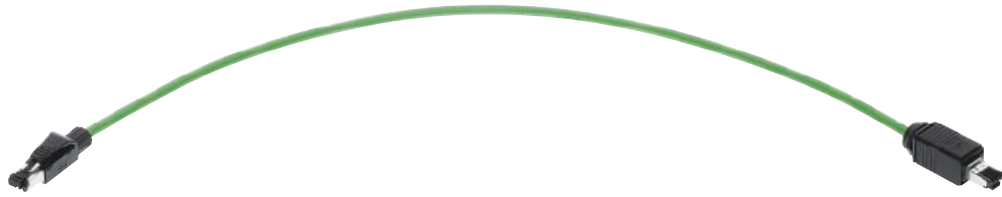
HARTING PushPull RJ45
System cable, 4-wire
Type C

Length 1.5 m	09 45 745 0023
Length 3.0 m	09 45 745 0025
Length 5.0 m	09 45 745 0027
Length 10.0 m	09 45 745 0051
Length 20.0 m	09 45 745 0053

HARTING PushPull RJ45
System cable, 4-wire
Outdoor

Length 1.5 m	09 45 745 0064
Length 3.0 m	09 45 745 0066
Length 5.0 m	09 45 745 0068
Length 10.0 m	09 45 745 0073
Length 20.0 m	09 45 745 0075

System cables



HARTING PushPull RJ45
System cable, 4-wire
RJ45 connection cable, PushPull, to RJ45 IP 20

IP 20	<input type="checkbox"/>	IP 65 / IP 67	<input type="checkbox"/>	IP 65 / IP 67 to IP 20	<input checked="" type="checkbox"/>	Cat. 5	<input checked="" type="checkbox"/>	Cat. 6	<input type="checkbox"/>
-------	--------------------------	---------------	--------------------------	------------------------	-------------------------------------	--------	-------------------------------------	--------	--------------------------

Connector types HARTING PushPull RJ45 and RJ45 IP 20

Cable types

Cable type	Type A	Type B	Type C
Cables	Copper, solid, shielded	Copper, stranded, shielded	Copper, stranded, shielded, useable as trailing cable
Wire gauge	4 x AWG 22/1	4 x AWG 22/7	4 x AWG 22/7
Sheath material	PVC	PVC	PUR
Operating temperature range	-40 °C ... +70 °C	-40 °C ... +70 °C	-40 °C ... +70 °C
Application PROFINET	Green	Green	Green

Wiring	4-poles (RJ45 contacts 1/2 and 3/6)
Transmission performance	Category 5 / Class D up to 100 MHz according to ISO/IEC 11 801:2002, EN 50 173-1
Transmission rate	10/100 Mbit/s
Shielding	Fully shielded, 360° shielding contact
Standard lengths	1.5 m / 3 m / 5 m / 10 m / 20 m other lengths available on request
Advantages	Space-saving IP 65 / IP 67 interface Easy change-over from harsh industrial environment to protected IP 20 environment Easy handling for all applications

HARTING PushPull

Identification

Part number

HARTING PushPull RJ45
System cable, 4-wire
Type A

Length 1.5 m	09 45 701 1123
Length 3.0 m	09 45 701 1125
Length 5.0 m	09 45 701 1127
Length 10.0 m	09 45 701 1151
Length 20.0 m	09 45 701 1153

HARTING PushPull RJ45
System cable, 4-wire
Type B

Length 1.5 m	09 45 701 1164
Length 3.0 m	09 45 701 1166
Length 5.0 m	09 45 701 1168
Length 10.0 m	09 45 701 1173
Length 20.0 m	09 45 701 1175

HARTING PushPull RJ45
System cable, 4-wire
Type C

Length 1.5 m	09 45 701 0023
Length 3.0 m	09 45 701 0025
Length 5.0 m	09 45 701 0027
Length 10.0 m	09 45 701 0051
Length 20.0 m	09 45 701 0053

Connector sets

Han® PushPull RJ45
 Connector set, 4-pole, plastic
 to make up Han® PushPull system cables RJ45



IP 20	<input type="checkbox"/>	IP 65 / IP 67	<input checked="" type="checkbox"/>	IP 65 / IP 67 to IP 20	<input type="checkbox"/>	Cat. 5	<input checked="" type="checkbox"/>	Cat. 6	<input type="checkbox"/>
-------	--------------------------	---------------	-------------------------------------	------------------------	--------------------------	--------	-------------------------------------	--------	--------------------------

Connector type	Han® PushPull RJ45 connector acc. to ISO/IEC 24 702
Locking	PushPull technology according to IEC 61 076-3-117, variant 14
Number of contacts	4
Transmission performance	Category 5 / Class D up to 100 MHz according to ISO/IEC 11 801:2002, EN 50 173-1
Transmission rate	10/100 Mbit/s
Shielding	Fully shielded, 360° shielding contact
Mounting	Field-assembly
Wire termination	Via IDC contacts, tool-less
Cable options	Suitable for solid and stranded cores
– Strand gauge	AWG 24/7 ... AWG 22/7 (stranded) AWG 23/1 ... AWG 22/1 (solid)
– Strand diameter	max. 1.6 mm
– Cable sheath diameter	5 ... 9.5 mm
Degree of protection	IP 65 / IP 67
Operating temperature range	–40 °C ... +70 °C
Housing material	Polyamide, UL94 V-0
Colour	Black

Advantages
 Field-assembly connector, IP 65 / IP 67
 Category of transmission Cat. 5

Mounting information
 Tool-less field-assembly with *HARAX*® rapid termination in IDC technology
 Up to 10x reconductable
 PROFINET compliant
 AIDA compliant

Han® PushPull

System cables



Han® 3 A RJ45
System cable, 4-wire

Han® 3 A RJ45 connection cable for harsh industrial environments

IP 20	<input type="checkbox"/>	IP 65 / IP 67	<input checked="" type="checkbox"/>	IP 65 / IP 67 to IP 20	<input type="checkbox"/>	Cat. 5	<input checked="" type="checkbox"/>	Cat. 6	<input type="checkbox"/>
-------	--------------------------	---------------	-------------------------------------	------------------------	--------------------------	--------	-------------------------------------	--------	--------------------------

Connector types Han® 3 A RJ45 metal

Cable types

Cable type	Type A	Type B	Type C	Outdoor
Cables	Copper, solid, shielded	Copper, stranded, shielded	Copper, stranded, shielded, useable as trailing cable	Copper, stranded, shielded
Wire gauge	4 x AWG 22/1	4 x AWG 22/7	4 x AWG 22/7	4 x AWG 22/7
Sheath material	PVC	PVC	PUR	PVC
Operating temperature range	-40 °C ... +70 °C	-40 °C ... +70 °C	-40 °C ... +70 °C	-45 °C ... +60 °C
Application PROFINET	Green	Green	Green	Black

Wiring	4-poles, 1:1 (RJ45 contacts 1/2 and 3/6)
Transmission performance	Category 5 / Class D up to 100 MHz according to ISO/IEC 11 801:2002, EN 50 173-1
Transmission rate	10/100 Mbit/s
Shielding	Fully shielded, 360° shielding contact
Standard lengths	1.5 m / 3 m / 5 m / 10 m / 20 m other lengths available on request

Advantages	<ul style="list-style-type: none"> Robust design Use on-site made possible by IP 65 / IP 67 protection Easy handling for all applications PROFINET compliant
-------------------	--

Identification

Part number

Han® 3 A RJ45
System cable, 4-wire
Type A

Length 1.5 m	09 45 715 1123
Length 3.0 m	09 45 715 1125
Length 5.0 m	09 45 715 1127
Length 10.0 m	09 45 715 1151
Length 20.0 m	09 45 715 1153

Han® 3 A RJ45
System cable, 4-wire
Type B

Length 1.5 m	09 45 715 1164
Length 3.0 m	09 45 715 1166
Length 5.0 m	09 45 715 1168
Length 10.0 m	09 45 715 1173
Length 20.0 m	09 45 715 1175

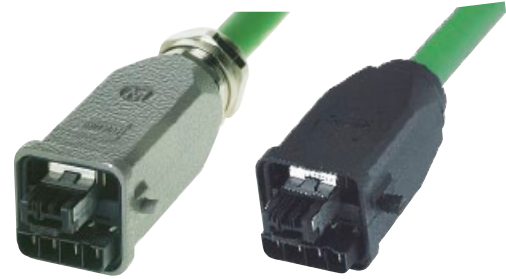
Han® 3 A RJ45
System cable, 4-wire
Type C

Length 1.5 m	09 45 715 0023
Length 3.0 m	09 45 715 0025
Length 5.0 m	09 45 715 0027
Length 10.0 m	09 45 715 0051
Length 20.0 m	09 45 715 0053

Han® 3 A RJ45
System cable, 4-wire
Outdoor

Length 1.5 m	09 45 715 0064
Length 3.0 m	09 45 715 0066
Length 5.0 m	09 45 715 0068
Length 10.0 m	09 45 715 0073
Length 20.0 m	09 45 715 0075

Connector sets



Han® 3 A RJ45 Hybrid
Connector set, 4-pole
to make up Han® 3 A RJ45 Hybrid system cables

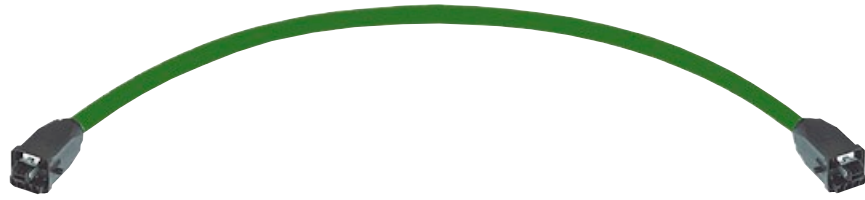
IP 20	<input type="checkbox"/>	IP 65 / IP 67	<input checked="" type="checkbox"/>	IP 65 / IP 67 to IP 20	<input type="checkbox"/>	Cat. 5	<input checked="" type="checkbox"/>	Cat. 6	<input type="checkbox"/>
-------	--------------------------	---------------	-------------------------------------	---------------------------	--------------------------	--------	-------------------------------------	--------	--------------------------

Connector type	Han® 3 A RJ45 Hybrid connector according to IEC 61 918
Number of contacts	4 + 4x power contacts (48 V / 16 A)
Transmission performance	Category 5 / Class D up to 100 MHz according to ISO/IEC 11 801:2002, EN 50 173-1
Transmission rate	10/100 Mbit/s
Shielding	Fully shielded, 360° shielding contact
Mounting	Field-assembly
Wire termination	Via IDC contacts, tool-less
Cable options	Hybrid cable (2 x 2 data + 4x power)
– Wire gauge (data)	AWG 24/7 ... AWG 22/7 (stranded)
	AWG 23/1 ... AWG 22/1 (solid)
– Wire gauge (power)	1.5 mm ² , stranded
– Strand diameter (data)	max. 1.6 mm
– Strand diameter (power)	max. 2.6 mm
– Cable sheath diameter	10 ... 11 mm
Degree of protection	IP 65 / IP 67
Operating temperature range	–40 °C ... +70 °C
Plastic version	
Housing material	Polyamide, UL94 V-0
Colour	Black
Metal version Standard	
Housing material	Zinc, die-cast
Colour	Grey
Advantages	Tool-less field-assembly with <i>HARAX</i> ® rapid termination in IDC technology Category of transmission Cat. 5 PROFINET compliant

Han® 3 A Hybrid

Identification	Part number	Drawing	Dimensions in mm
<p>Han® 3 A RJ45 Hybrid Connector set, 4-pole</p> <p>Plastic version straight style</p> <p>Metal version Standard straight style</p> <p>Set consists of: Han® 3 A Hybrid housing including RJ45 connector and shielding Cable gland Assembly instructions</p>	<p>09 45 125 1300</p> <p>10 12 005 2001</p>		
<p>Protection cover for Han® 3 A connector</p> <p>Plastic version Metal version Standard</p>	<p>09 20 003 5442</p> <p>09 20 003 5422</p>	<p>Dimensions valid for Plastic version</p>	

System cables



Han® 3 A Hybrid System cable RJ45, 4-wire

Han® 3 A Hybrid connection cable for harsh industrial environments

IP 20	<input type="checkbox"/>	IP 65 / IP 67	<input checked="" type="checkbox"/>	IP 65 / IP 67 to IP 20	<input type="checkbox"/>	Cat. 5	<input checked="" type="checkbox"/>	Cat. 6	<input type="checkbox"/>
-------	--------------------------	---------------	-------------------------------------	---------------------------	--------------------------	--------	-------------------------------------	--------	--------------------------

Connector types	Han® 3 A RJ45 Hybrid, plastic / metal
Cable types	4 x AWG 22/7, star quad, shielded + 4 power cores
Sheath material	FRNC
Wiring	4-poles (RJ45 contacts 1/2 and 3/6)
Transmission performance	Category 5 / Class D up to 100 MHz according to ISO/IEC 11 801:2002, EN 50 173-1
Transmission rate	10/100 Mbit/s + Power supply
Shielding	Fully shielded, 360° shielding contact
Operating temperature range	-20 °C ... +70 °C
Standard lengths	1.5 m / 3 m / 5 m / 10 m / 20 m other lengths available on request
Colour	Green
Advantages	<ul style="list-style-type: none"> Robust design Use on-site made possible via IP 65 / IP 67 protection Easy handling for applications with additional power supply PROFINET compliant

Han® 3 A Hybrid

Identification

Part number

Han® 3 A RJ45 Hybrid
System cable, 4-wire,
plastic

Length 1.5 m	09 45 725 1323
Length 3.0 m	09 45 725 1325
Length 5.0 m	09 45 725 1327
Length 10.0 m	09 45 725 1351
Length 20.0 m	09 45 725 1353

Han® 3 A RJ45 Hybrid
System cable, 4-wire,
metal

Length 1.5 m	09 45 715 1364
Length 3.0 m	09 45 715 1366
Length 5.0 m	09 45 715 1368
Length 10.0 m	09 45 715 1373
Length 20.0 m	09 45 715 1375